

# **PARTS CATALOG**

## **UFRII LT Printer Kit-J2**

**Canon**

**Oct 12 2005**



## **PREFACE**

This Parts Catalog contains listings of parts used

Diagrams are provided with the listings to aid the service technician in identifying clearly, the item to be ordered.

Whenever ordering parts, consult this Parts Catalog for all of the information pertaining to each item. Be sure to include, in the Parts Request, the full item description, the item part number, and the quantity.

***COPYRIGHT (C) 1999 CANON INC.***

Use of this manual should be strictly supervised to avoid disclosure of confidential information.



# Contents

## NUMERICAL INDEX

UFR11 LT Printer Kit-J2 .....1-1

## UFR11 LT Printer Kit-J2

X90 LAN PCB ASSEMBLY .....2-1



# NUMERICAL INDEX

## UFR II LT Printer Kit-J2

| PARTS NUMBER | FIGURE<br>&<br>KEY NO. | PARTS NUMBER | FIGURE<br>&<br>KEY NO. | PARTS NUMBER | FIGURE<br>&<br>KEY NO |
|--------------|------------------------|--------------|------------------------|--------------|-----------------------|
| FM2-4058-000 | X90 - 1                |              |                        |              |                       |
| FM2-4542-000 | X90 - 2                |              |                        |              |                       |
| NPN          | X90 -                  |              |                        |              |                       |
| XB6-7300-805 | X90 - 501              |              |                        |              |                       |





# UFR II LT Printer Kit-J2

UFR II LT Printer Kit-J2

**F68-0087-000**

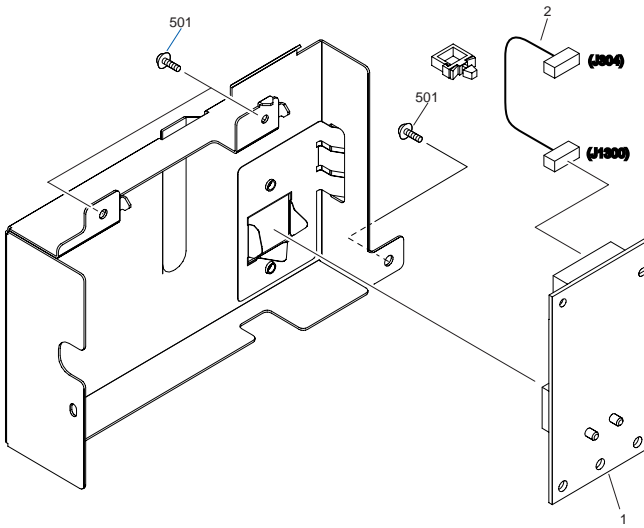


# Contents

|                            |     |
|----------------------------|-----|
| X90 LAN PCB ASSEMBLY ..... | 2-1 |
|----------------------------|-----|



# FIGURE X90 LAN PCB ASSEMBLY



| FIGURE & KEY NO. | PARTS NUMBER | RANK | Q'TY | DESCRIPTION      | SERIAL NUMBER/REMARKS | SVC |
|------------------|--------------|------|------|------------------|-----------------------|-----|
| Fig.X90          | NPN          |      | RF   | LAN PCB ASSEMBLY |                       |     |
| 1                | FM2-4058-000 |      | 1    | LAN PCB ASSEMBLY |                       |     |
| 2                | FM2-4542-000 |      | 1    | CABLE, IP-LAN    | J304,1300             |     |
| 501              | XB6-7300-805 |      | 3    | SCREW, BH3X8     |                       |     |

Prepared by  
OIP HFE Promotion Center  
CANON INC.

**Canon**